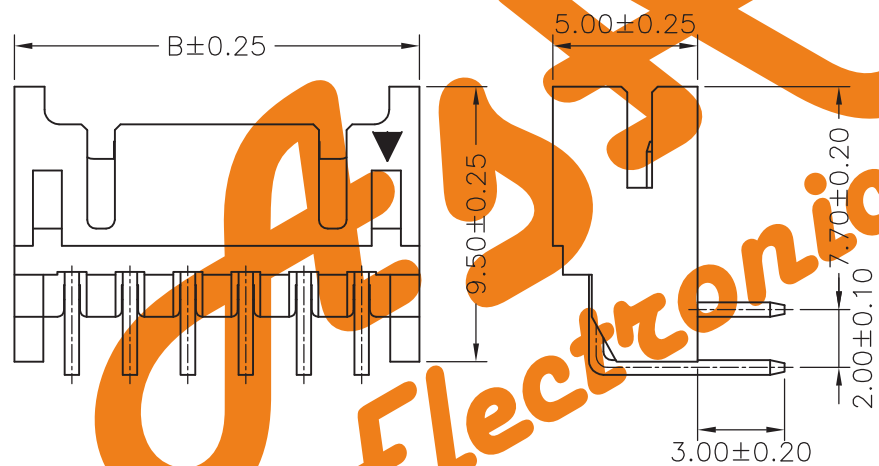
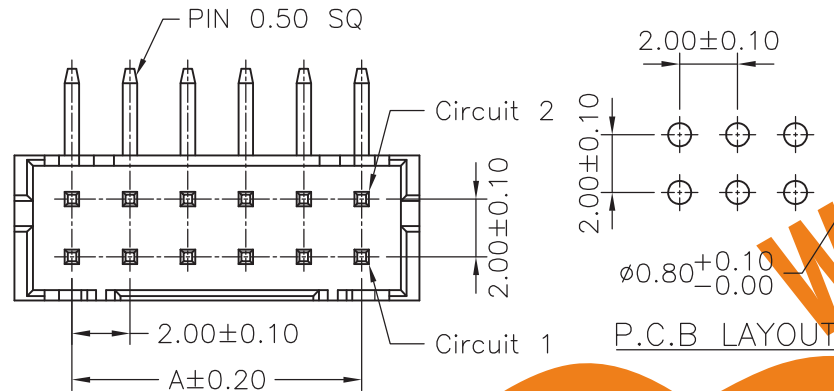


SPECIFICATIONS
 Current Rating: 2A AC,DC
 Voltage Rating: 250V AC,DC
 Temperature Range: -25°C ~ +85°C
 Contact Resistance: 30mΩ Max.
 Insulation Resistance: 1000MΩ Min.
 Withstanding Voltage: 800V AC/minute
 Pin Material: Brass/Tin-plated
 Material: Nylon 66,UL94V-0



Ordering Information & Dimensions

PART NO.	Dimensions	
	A	B
DF11-R-2X02	2.00	6.00
DF11-R-2X03	4.00	8.00
DF11-R-2X04	6.00	10.00
DF11-R-2X05	8.00	12.00
DF11-R-2X06	10.00	14.00
DF11-R-2X07	12.00	16.00
DF11-R-2X08	14.00	18.00
DF11-R-2X09	16.00	20.00
DF11-R-2X10	18.00	22.00
DF11-R-2X11	20.00	24.00
DF11-R-2X12	22.00	26.00
DF11-R-2X13	24.00	28.00
DF11-R-2X14	26.00	30.00
DF11-R-2X15	28.00	32.00
DF11-R-2X16	30.00	34.00
DF11-R-2X17	32.00	36.00
DF11-R-2X18	34.00	38.00
DF11-R-2X19	36.00	40.00
DF11-R-2X20	38.00	42.00



WWW.AsA-Elec.com telegram:09396994470

AsA Electronic Co.

Tel : (+98) 21 66 73 56 82 Mob : (+98) 912 03 161 02

www.asa-elec.com

DRAWING BY CY		TOLERANCES ARE X.± .X± .XX± .XXX± ANG±
CHECKED BY GENIUS		
UNIT / mm	SCALE 1 : 1	
DATE		
SIZE A4	PPOJECTION	

ORDER INFORMATION
 DF11-R-2Xxx-LF
 SERIES | LEADFREE
 2X02:04WAY
 2X20:40WAY
 DIP 90°

DESCRIPTION: 2.00mm PITCH 90° WAFER